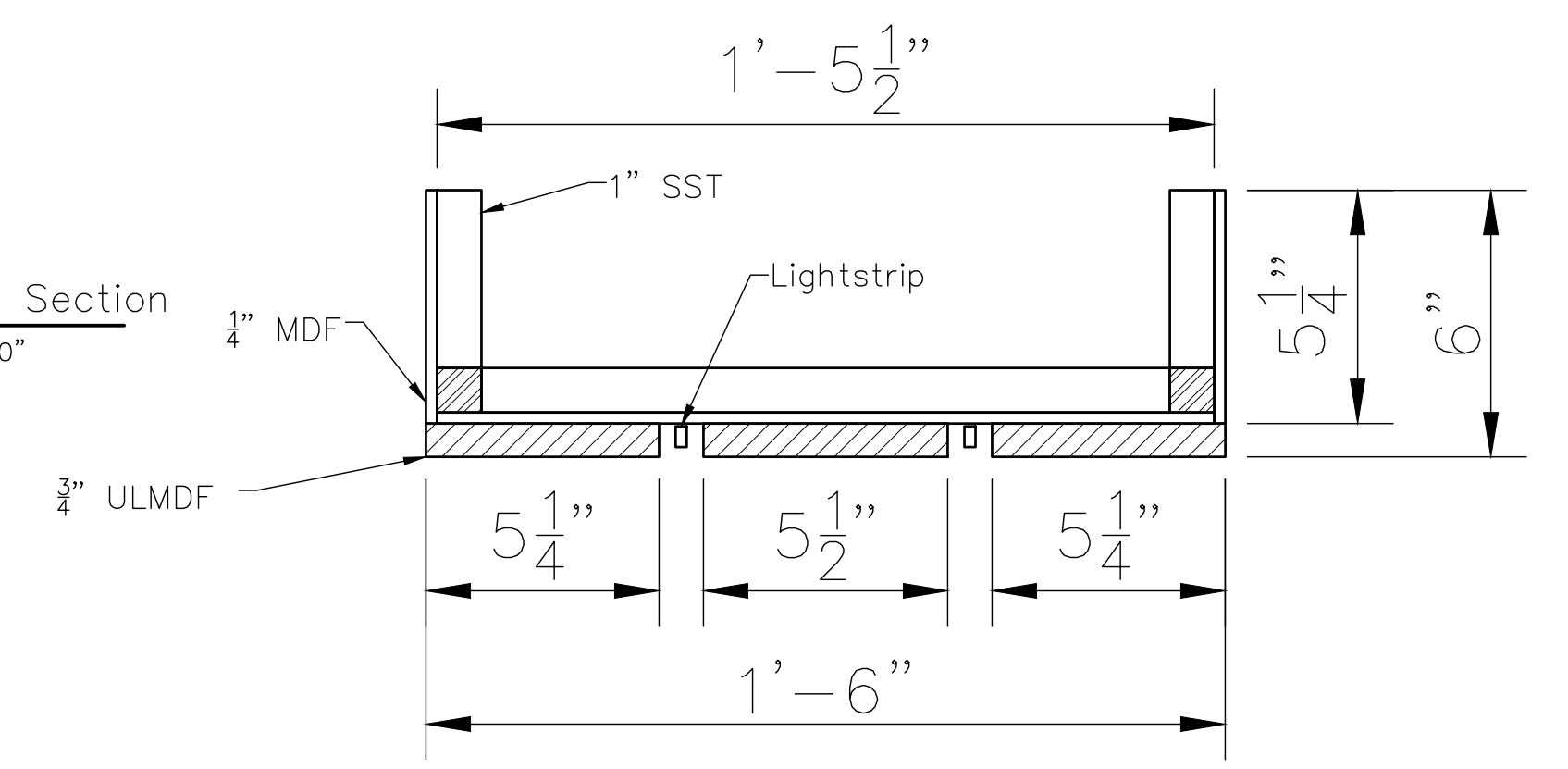


FILE NAME: V:\TECHNICAL\DIRECTING\SHOWS\2024 -- 2025 SEASON\2403 LA FINITA GIARDINERIA\2403 LA FINITA MAIN.DWG  
 DUBEN  
 SAVE DATE: 11-01-2024

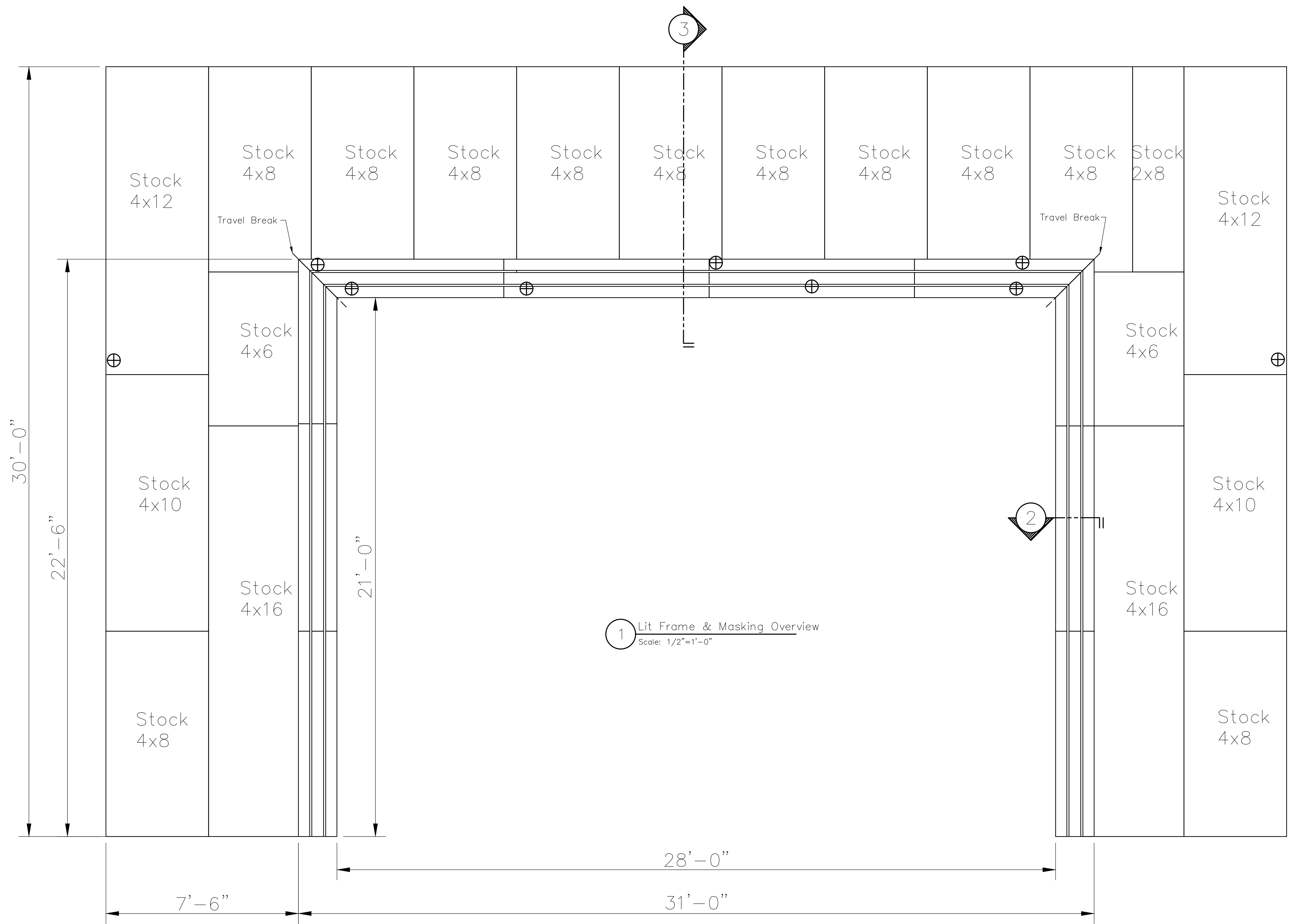
### Notes:

- 1) Stock Flats are wrapped in DUV
- 2) Lit Frame screws/bolts into flats behind.
- 3) V-Pin 1/4" MDF into steel, Screw UL MDF to 1/4" MDF.
- 4) Lit Frame has own rigging points. It will bolt into underside of masking flats.

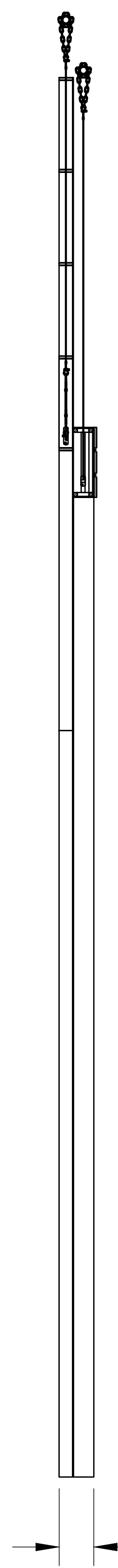
**2** Lit Frame Section  
 Scale: 3"=1'-0"



**1** Lit Frame & Masking Overview  
 Scale: 1/2"=1'-0"



**3** Lit Frame & Masking Section  
 Scale: 1/2"=1'-0"



THE DRAWINGS AND DATA IN THIS DOCUMENT, AND THE  
 INTELLECTUAL PROPERTY AND CONFIDENTIAL INFORMATION IT  
 CONTAINS ARE THE PROPERTY OF US/CCM. NO PART  
 ANY PARTY ACCEPTING THIS DOCUMENT SHALL BE  
 CONFIDENTIAL AND AGREES THAT IT SHALL NOT BE  
 REPRODUCED, IN WHOLE OR IN PART, NOR DISCLOSED TO  
 OTHERS WITHOUT THE WRITTEN CONSENT OF US/CCM. TAPAA

La Finta Giardiniera  
 PRESENTED IN  
 Patricia Corbett Theatre

NO.	DATE	DESCRIPTION
1	10/8/24	
2	10/11/24	
3	10/15/24	

RELEASE AND ISSUE:	
1	10/8/24
2	10/11/24
3	10/15/24

DRAWN BY: B.LOOKATCH	TECH. DIR.: B.LOOKATCH
REVIEWED BY: ----	SCALE: As Noted

U.S. Lit Frame  
 TD 7.00  
 Plot date: 3/13/2025