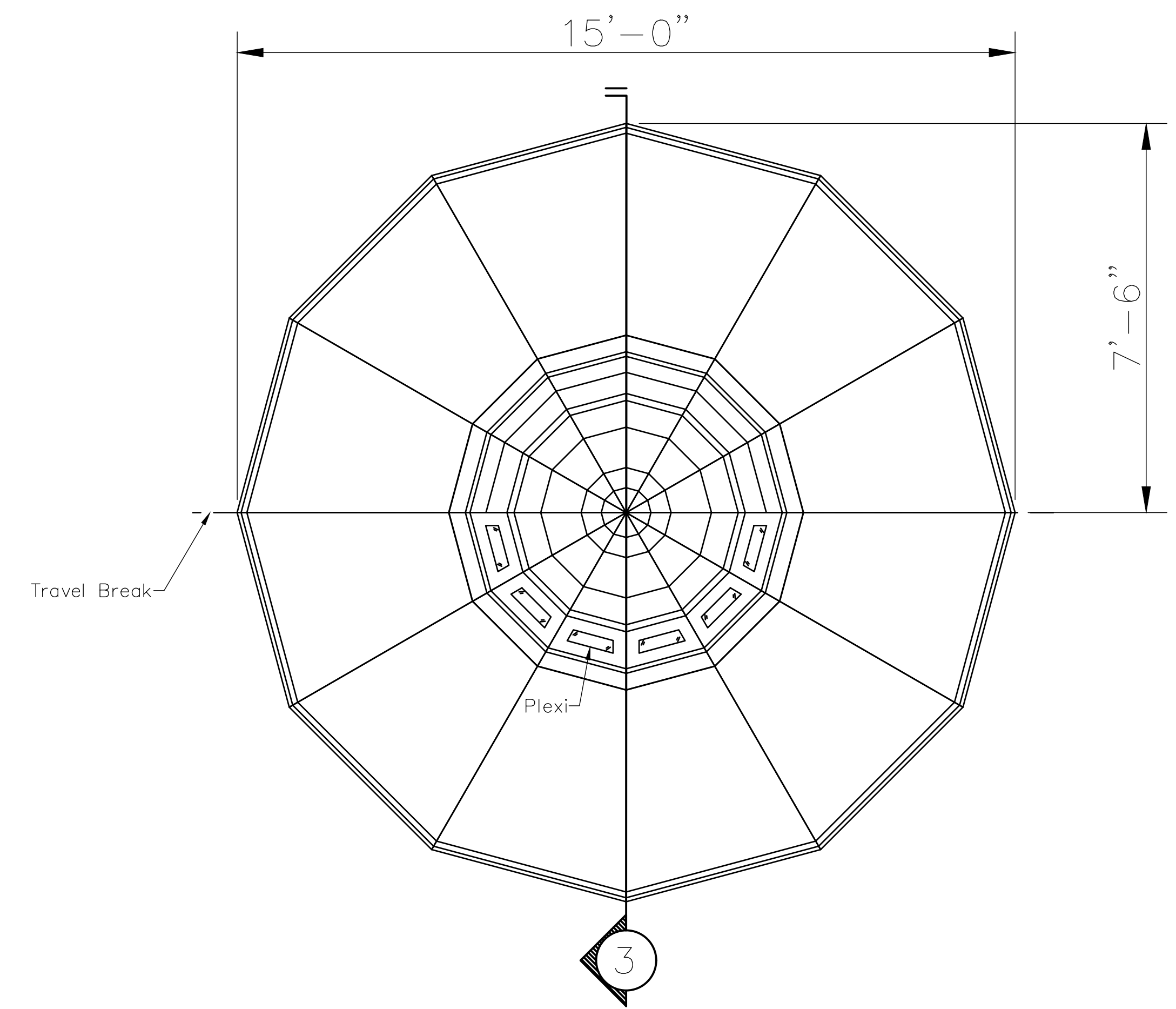


FILE NAME: \\A:\TECH\DIRECTING\SHOWS\2024 - 2025 SEASON\2408 MIDSUMMER\TITLE WORKING.DWG DATE: 03-13-2025

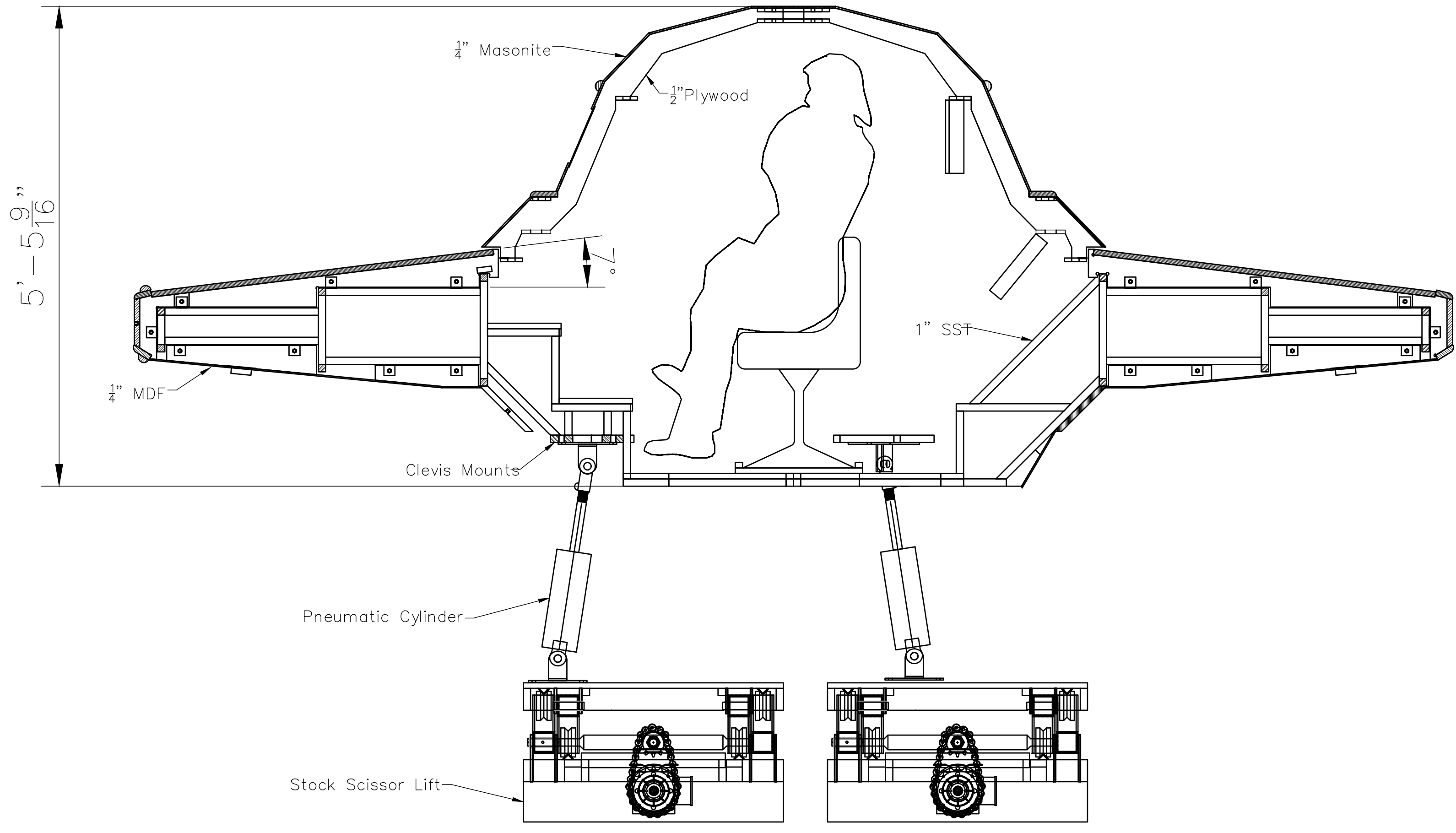
THE DRAWINGS AND DATA IN THIS DOCUMENT, AND THE INTELLECTUAL PROPERTY AND CONFIDENTIAL INFORMATION IT CONTAINS ARE THE PROPERTY OF US/CCM TAPAA. NO PARTY ACCEPTING THIS DOCUMENT OWES TO ANY CONFIDENCE AND AGREES THAT IT SHALL NOT BE REPRODUCED, IN WHOLE OR IN PART, NOR DISCLOSED TO OTHERS WITHOUT THE WRITTEN CONSENT OF US/CCM TAPAA.

Midsummer  
PRESENTED IN  
PCT

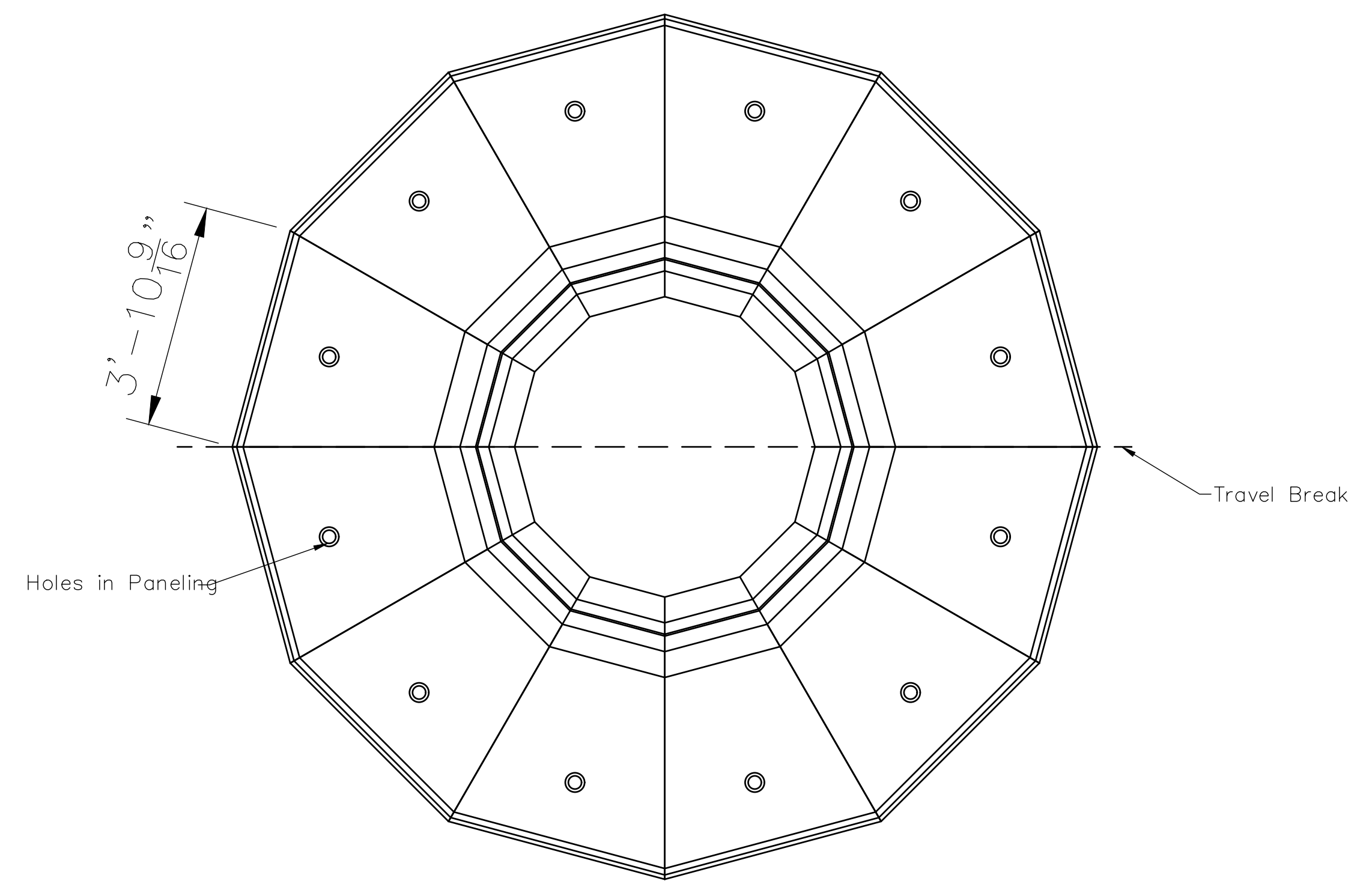
**Abstract:**  
The saucer structure is made from faceted rings of 1" square steel tubing with 3/4" plywood ribs holding up an assortment of 1/4" paneling. The dome structure is made from 1/2" plywood ribs holding 1/8" masonite, which sets in the hole of the saucer.



1 Spaceship Top  
Scale: 1/2"=1'-0"



3 Spaceship Interior Section  
Scale: 1"=1'-0"



2 Spaceship Bottom  
Scale: 1/2"=1'-0"

**Notes:**

- The Spaceship transports in 3 pieces: The two saucer halves, and the dome with hatch
- Saucer Structure is ~1400 lbs
- Dome is ~100 lbs
- The Saucer is bolted together with 3/8" HH Bolts at the seam

NO.	DATE	DESCRIPTION
1		
2		
3		
4		
5		

RELEASE AND ISSUE:


DRAWN BY: B. Lookatch	TECH. DIR.: B. Lookatch
REVIEWED BY: PS Robles	SCALE: As Noted

Spaceship Overview

TD 2.00